

CTS-240

180...280W SINGLE OUTPUT DC/DC CONVERTERS

GENERAL FEATURES:

- Designed according to EN50155
- Fire and smoke: EN45545-2 approved
- High input-output isolation
- Standard size Eurocard 3U
- Adjustable output voltage
- Input voltage OK LED
- Output voltage presence LED
- Remote inhibit
- Option: remote sensing or alarm
- Efficiency up to 92%



	24Vin 14,4V ... 30V	36Vin 21,6V ... 47V	48Vin 28,8V ... 60V	72Vin 43,2V ... 90V	110Vin 66V ... 144V	220Vin 132 ... 275V
5Vout	CTS-240-6655 180W	CTS-240-6672 180W	CTS-240-6659 180W	CTS-240-6663 180W	CTS-240-6667 180W	Available upon request
12Vout	CTS-240-6656 240W	CTS-240-6673 240W	CTS-240-6660 240W	CTS-240-6664 240W	CTS-240-6668 240W	Available upon request
24Vout	CTS-240-6657 240W	CTS-240-6674 280W	CTS-240-6661 280W	CTS-240-6665 280W	CTS-240-6669 280W	CTS-240-6678 280W
48Vout	CTS-240-6658 240W	CTS-240-6675 280W	CTS-240-6662 280W	CTS-240-6671 280W	CTS-240-6670 280W	Available upon request



INPUT

Input voltage range	See table
Input undervoltage shutdown	55% to 60% Vi nom
Maximum allowed input ripple	15% Vin nom (EN50155)

OUTPUT

Output voltage	See table
Output voltage adjustment	
Vi min = 60% Vi nom	-10% ... +0% Vo nom
Vi min = 70% Vi nom	-10% ... +15% Vo nom
Line regulation (Io = nom)	< 0,2 % (Io = nom)
Load regulation (Vin = nom)	< 0,2 % (Vin = nom; Io: 0...100%)
Ripple	< 50 mVpp
Noise (BW = 20MHz)	< 100 mVpp

ENVIRONMENTAL

Storage temperature	-40°C ... 85°C
Operating temperature range at Io = 100%	-25°C ... 60°C (-40°C ... 60°C, see note-1)
Operating temperature range at Io = 75%	-25°C ... 70°C (-40°C ... 70°C, see note-1)
Operating temperature range at Io = 37.5%	-25°C ... 85°C (-40°C ... 85°C, see note-1)
Maximum Relative humidity	95% with no condensation
Shock and vibration	EN61373 Category 1 class B body mounted
MTBF	400.000h @ 40°C according to IEC61709

EMC

Emission	EN50121-4, EN50121-3-2
Immunity	EN50121-4, EN50121-3-2

SAFETY

Safety	EN60950-1, EN62368-1, EN50155
Dielectric strength Input - Output	3000Vac, 4200Vdc 1min.
Dielectric strength Input - Earth	1500Vac, 2100Vdc 1min.
Dielectric strength Output - Earth	1500Vac, 2100Vdc 1min.
Fire and smoke	EN45545-2:2013 +A1:2015

MECHANICAL

Approximate weight	640g
Dimensions	100 x 220 x 38.5mm

CONTROL

Remote inhibit range	5V ... 24V
Remote sense (option)	< 0.3V per pole
Low output voltage alarm (option)	Threshold: 0.85...0.90 Vo nom. Open when alarm Isolated solid state relay: max.100mA, 160V

PROTECTIONS

Against overloads and short-circuits	Current limiting
Against reverse input voltage.	Input fuse
Against input under-voltage.	Under-voltage lock-out
Against Input over-currents	Input fuse

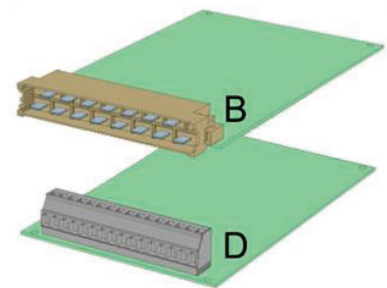
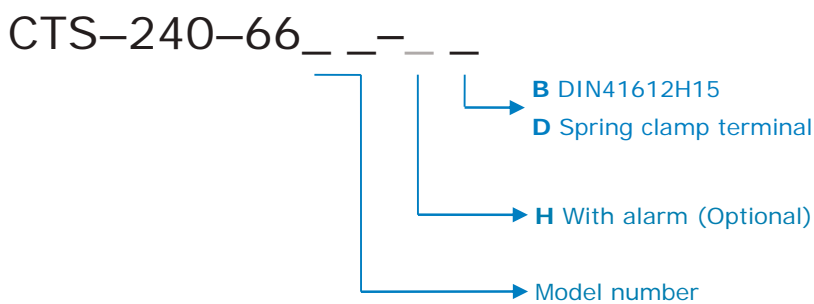
Note-1: The unit can start up and work at an ambient temperature of -40°C with the following restrictions:

- Do not handle the connection terminals below -25°C
- The output ripple can rise up to 150mVpp at -40°C



ORDERING CODES

Part Number	Power [W]	Input [V]	Input range [V]	Output [V]	Output current [A]	Efficiency [%]
CTS-240-6655	180	24	14,4 - 30	5	36	80
CTS-240-6656	240	24	14,4 - 30	12	20	83
CTS-240-6657	240	24	14,4 - 30	24	10	87
CTS-240-6658	240	24	14,4 - 30	48	5	88
CTS-240-6672	180	36	21,6 - 47	5	36	80
CTS-240-6673	240	36	21,6 - 47	12	20	83
CTS-240-6674	280	36	21,6 - 47	24	11,7	87
CTS-240-6675	280	36	21,6 - 47	48	5,8	88
CTS-240-6659	180	48	28,8 - 60	5	36	80
CTS-240-6660	240	48	28,8 - 60	12	20	84
CTS-240-6661	280	48	28,8 - 60	24	11,7	88
CTS-240-6662	280	48	28,8 - 60	48	5,8	89
CTS-240-6663	180	72	43,2 - 90	5	36	81
CTS-240-6664	240	72	43,2 - 90	12	20	88
CTS-240-6665	280	72	43,2 - 90	24	11,7	90
CTS-240-6671	280	72	43,2 - 90	48	5,8	90
CTS-240-6667	180	110	66 - 144	5	36	81
CTS-240-6668	240	110	66 - 144	12	20	88
CTS-240-6669	280	110	66 - 144	24	11,7	91
CTS-240-6670	280	110	66 - 144	48	5,8	92
CTS-240-6678	280	220	132 - 275	24	11,7	91

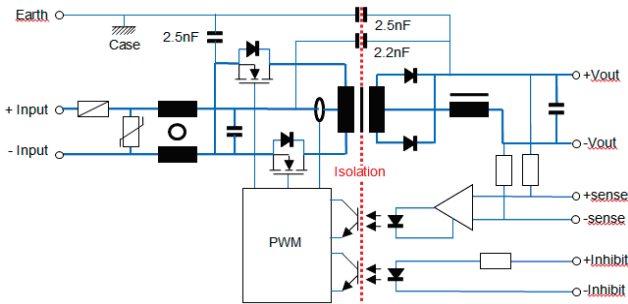


Accessories must be ordered in a separated order line

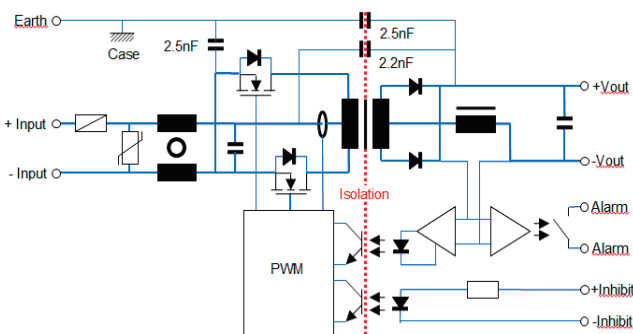


BLOCKS DIAGRAM

Option: Remote sensing

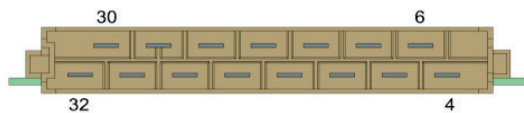


Option: Alarm

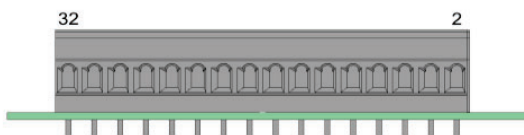


CONNECTIONS

Connector DIN41612H15 (Max. 12A / terminal)



Spring clamp terminals (Max. 12A / terminal)



Pin out option: R. sensing		Pin out option: Alarm	
+ Input	8,10	+ Input	8,10
- Input	4,6, (2)	- Input	4,6, (2)
Earth	16	Earth	16
+ Output	26,28,30	+ Output	28,30,32
- Output	20,22,24	- Output	22,24,26
+ Sense	32	Alarm	20
- Sense	18	Alarm	18
+ Inhibit	14	+ Inhibit	14
- Inhibit	12	- Inhibit	12

DESCRIPTION

The CTS-240 series consists of DC-DC converters, with a galvanic isolation between input and output. The converters operate at a fixed switching frequency and use push-pull converter topology.

There are two options to choose:

- 1 - With remote sensing
- 2 - With low output voltage alarm

For maximum regulation, the remote sensing terminals can be connected to the load. This will allow a power cable voltage drop of up to 0.3 V on each cable to be offset.

The device is protected against overload and short-circuits by means of a current limiting circuit.

The device is also protected against reverse polarity input voltage, and the input fuse blows if an improper connection is made.

When a converter input undervoltage condition occurs, the converter is disabled, thus preventing the battery from becoming totally discharged.

INSTALLATION

There are two connecting options:

- DIN-41612-H15 connector
- Spring clamp terminal

The product can be mounted in several ways:

- On a chassis by means of the 4 corner holes.
- In EUROCARD racks. For this application there is a standard 9Te front plate accessory reference **NP-9155**
- With the base reference **NP-9125**. This accessory can be mounted on a chassis or in DIN rail adding the clip accessory **NP-9135**.

START-UP

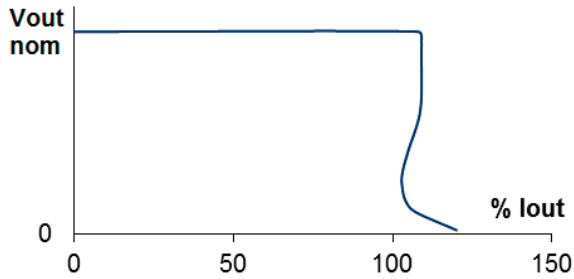
Perform connection as per the table. Use of remote sensing is not absolutely necessary, but if this is required, use of a coaxial or a twisted-pair cable is recommended.

WARNING: If the load is connected to the tabs of remote sensing (+/-S) and the connection from the output to this load is missing the remote sensing function could make unusable due to the acting of the internal fuse of protection.

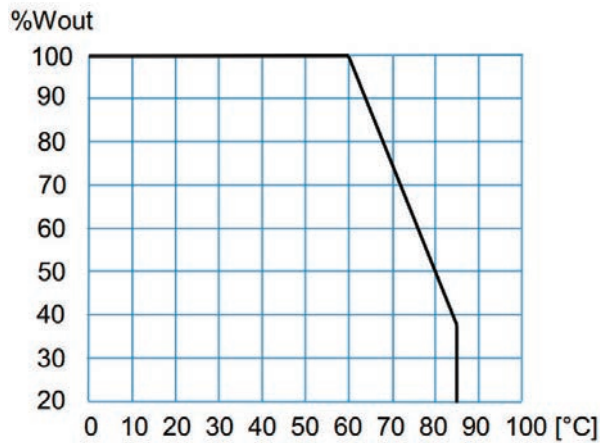
If power levels close to the maximum output are required, make sure the assembly enhances cooling by natural convection and the card is placed in vertical position.



TYPICAL OUTPUT CHARACTERISTIC



POWER DERATING vs AMBIENT TEMP.



If several converters need to be connected in parallel, do the following:

Set the output voltage for all converters featuring a mutual difference as small as possible.

Join the load outputs by using cables with a cross-section no greater than the one required and of equal length.

Do not use remote sensing.

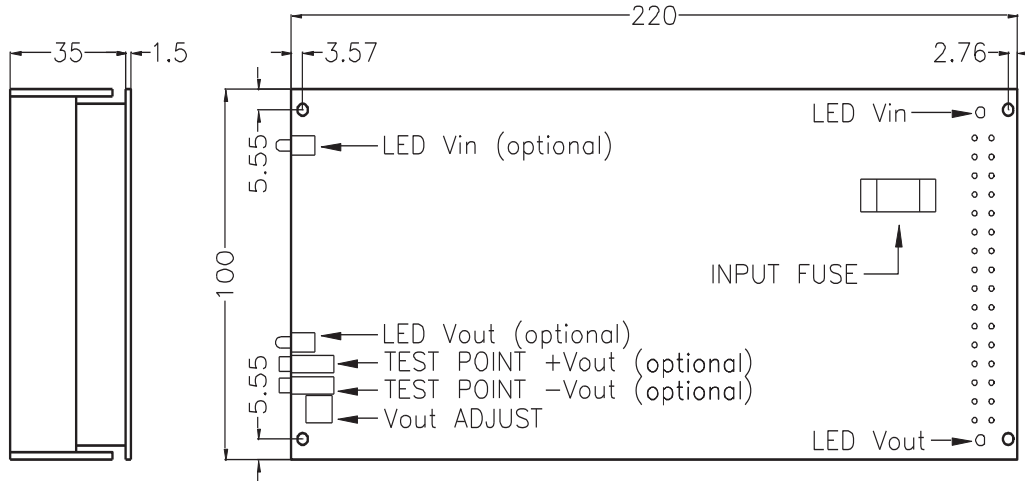
For safety reasons, the following requirements must be complied with:

Provide the equipment with some kind of protective enclosure that complies with the electrical safety directives in effect within the country where the equipment is installed.

Only replace the fuse with another fuse of the same rating and type, and only after disconnecting the converter from DC power.

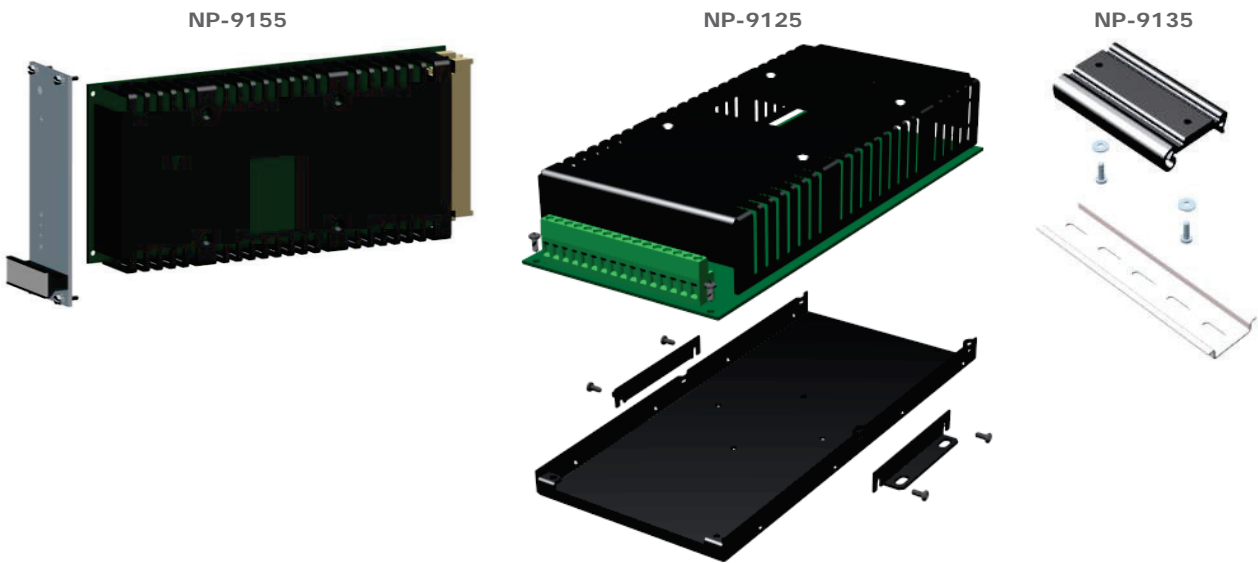


DIMENSIONS



ACCESSORIES

ACCESSORIES	CODE
Rack 19" frontal panel (3U 9TE)	NP-9155
Mounting base	NP-9125
Din rail clip for mounting base	NP-9135
Redundant connection for two units (ORing diodes + alarms contacts)	ACD-15, ACD-25





CE EU DECLARATION OF CONFORMITY

The undersigned, representing the following:

Manufacturer: PREMIUM, S. A.,
Address: C/ Dolors Aleu 19-21, 08908 L'Hospitalet de Llobregat, SPAIN

herewith declares that the product:

Type: DC/DC converter
Models: **CTS-240-6655 ... 6678**

is in conformity with the provisions of the following EU directive(s):

2014/35/EU	Low voltage
2014/30/EU	Electromagnetic compatibility
2011/65/EU	Restriction of the use of certain hazardous substances in electrical and electronic equipment (RoHS)

and that standards and/or technical specifications referenced overleaf have been applied:

EN 60950-1: 2005	Safety. Information technology equipment
EN 62368-1: 2014	Safety. Audio/video, information and communication technology equipment
EN 61000-6-3: 2007	Generic emission standard
EN 61000-6-2: 2005	Generic immunity standard
EN 50155: 2017*	Railway applications. Electronic equipment used on rolling stock material
EN 50121-3-2: 2016*	Railway applications. EMC Rolling stock equipment
EN 50121-4: 2016*	Railway applications. EMC of the signalling and telecommunications apparatus

* See annexe

CE marking year: **2006**

Notes:

For the fulfillment of this declaration the product must be used only for the aim that has been conceived, considering the limitations established in the instructions manual or datasheet.

L'Hospitalet de Llobregat, 28-08-2019

Jordi Gazo
Chief Executive Officer

PREMIUM S.A. is an ISO9001 and ISO14001
certified company by **Bureau Veritas**



ANNEXE

Applicable values for the different sections of the norm EN50155: 2017

4.3.1	Working altitude	Up to 2000m																																																																
4.3.2	Ambient temperature	Class OT1 (-25 to 55°C): load < 100% Class OT2 (-40 to 55°C): load < 100% (Without connectors handling and output ripple <150mVpp) Class OT3 (-25 to 70°C): load <75% Class OT4 (-40 to 70°C): load <75% (Without Connectors handling and output ripple <150mVpp) Class OT5 (-25 to 85°C): load <37.5% Class OT6 (-40 to 85°C): load <37.5% (Without Connectors handling and output ripple <150mVpp)																																																																
4.3.3	Switch-on extended operating temp.	ST1																																																																
4.3.4	Rapid temperature variations	H1																																																																
4.3.5	Shocks and vibrations	According EN61373:2010 Category 1 class B																																																																
4.3.6	EMC Electromagnetic Compatibility EN50121-3-2:2016 EN50121-4:2016	<table border="1"> <thead> <tr> <th>Test</th> <th>Norm</th> <th>Port</th> <th>Frequency</th> <th>Limits</th> </tr> </thead> <tbody> <tr> <td rowspan="3">Radiated emissions</td> <td rowspan="3">IEC55016</td> <td rowspan="3">Case</td> <td>30MHz...230MHz</td> <td>40dB(µV/m) Qpk at 10m</td> </tr> <tr> <td>230MHz...1GHz</td> <td>47dB(µV/m) Qpk at 10m</td> </tr> <tr> <td>1...3GHz</td> <td>Do not apply</td> </tr> <tr> <td rowspan="2">Conducted emissions</td> <td rowspan="2">IEC55016</td> <td rowspan="2">Input</td> <td>3...6GHz</td> <td>Internal freq. < 108MHz</td> </tr> <tr> <td>150kHz...500kHz</td> <td>79dB(µV) Qpk, 66dB(µV) Av</td> </tr> <tr> <td></td> <td></td> <td></td> <td>500kHz...300MHz</td> <td>79dB(µV) Qpk, 60dB(µV) Av</td> </tr> </tbody> </table>	Test	Norm	Port	Frequency	Limits	Radiated emissions	IEC55016	Case	30MHz...230MHz	40dB(µV/m) Qpk at 10m	230MHz...1GHz	47dB(µV/m) Qpk at 10m	1...3GHz	Do not apply	Conducted emissions	IEC55016	Input	3...6GHz	Internal freq. < 108MHz	150kHz...500kHz	79dB(µV) Qpk, 66dB(µV) Av				500kHz...300MHz	79dB(µV) Qpk, 60dB(µV) Av																																						
		Test	Norm	Port	Frequency	Limits																																																												
		Radiated emissions	IEC55016	Case	30MHz...230MHz	40dB(µV/m) Qpk at 10m																																																												
					230MHz...1GHz	47dB(µV/m) Qpk at 10m																																																												
					1...3GHz	Do not apply																																																												
		Conducted emissions	IEC55016	Input	3...6GHz	Internal freq. < 108MHz																																																												
					150kHz...500kHz	79dB(µV) Qpk, 66dB(µV) Av																																																												
					500kHz...300MHz	79dB(µV) Qpk, 60dB(µV) Av																																																												
		<table border="1"> <thead> <tr> <th>Test</th> <th>Norm</th> <th>Port</th> <th>Severity</th> <th>Conditions</th> <th>P</th> </tr> </thead> <tbody> <tr> <td rowspan="2">Electrostatic discharge</td> <td rowspan="2">IEC61000-4-2</td> <td rowspan="2">Case</td> <td>±8kV</td> <td>Air (isolated parts)</td> <td rowspan="2">B</td> </tr> <tr> <td>±8kV</td> <td>Contact (conductive parts)</td> </tr> <tr> <td rowspan="4">Radiated high-frequency</td> <td rowspan="4">IEC61000-4-3</td> <td rowspan="4">X/Y/Z Axis</td> <td>20V/m</td> <td>0.08...1.0GHz M. 80% 1kHz</td> <td rowspan="4">A</td> </tr> <tr> <td>10V/m</td> <td>1.4...2.1GHz M. 80% 1kHz</td> </tr> <tr> <td>5V/m</td> <td>2.1...2.5GHz M. 80% 1kHz</td> </tr> <tr> <td>3V/m</td> <td>5.1...6GHz M. 80% 1kHz</td> </tr> <tr> <td rowspan="4">Fast transients</td> <td rowspan="4">IEC61000-4-4</td> <td>Input</td> <td>±2kV</td> <td rowspan="4">Tr/Th: 5/50 ns</td> <td rowspan="4">A</td> </tr> <tr> <td>Output</td> <td>±2kV</td> </tr> <tr> <td>Signal</td> <td>±2kV</td> </tr> <tr> <td>PE</td> <td>±1kV</td> </tr> <tr> <td rowspan="2">Surge</td> <td rowspan="2">IEC61000-4-5</td> <td>Input L to L</td> <td>±1kV</td> <td rowspan="2">Tr/Th: 1.2/50µs</td> <td rowspan="2">B</td> </tr> <tr> <td>Input L to PE</td> <td>±2kV</td> </tr> <tr> <td rowspan="4">Conducted RF</td> <td rowspan="4">IEC61000-4-6</td> <td>Input</td> <td>10V</td> <td rowspan="4">0.15...80MHz M. 80% 1kHz</td> <td rowspan="4">A</td> </tr> <tr> <td>Output</td> <td>10V</td> </tr> <tr> <td>Signal</td> <td>10V</td> </tr> <tr> <td>PE</td> <td>10V</td> </tr> <tr> <td>Magnetic field</td> <td>IEC61000-4-8</td> <td>X/Y/Z Axis</td> <td>300A/m</td> <td>0Hz, 16.7Hz, 50/60Hz</td> <td>A</td> </tr> </tbody> </table>	Test	Norm	Port	Severity	Conditions	P	Electrostatic discharge	IEC61000-4-2	Case	±8kV	Air (isolated parts)	B	±8kV	Contact (conductive parts)	Radiated high-frequency	IEC61000-4-3	X/Y/Z Axis	20V/m	0.08...1.0GHz M. 80% 1kHz	A	10V/m	1.4...2.1GHz M. 80% 1kHz	5V/m	2.1...2.5GHz M. 80% 1kHz	3V/m	5.1...6GHz M. 80% 1kHz	Fast transients	IEC61000-4-4	Input	±2kV	Tr/Th: 5/50 ns	A	Output	±2kV	Signal	±2kV	PE	±1kV	Surge	IEC61000-4-5	Input L to L	±1kV	Tr/Th: 1.2/50µs	B	Input L to PE	±2kV	Conducted RF	IEC61000-4-6	Input	10V	0.15...80MHz M. 80% 1kHz	A	Output	10V	Signal	10V	PE	10V	Magnetic field	IEC61000-4-8	X/Y/Z Axis	300A/m	0Hz, 16.7Hz, 50/60Hz	A
		Test	Norm	Port	Severity	Conditions	P																																																											
		Electrostatic discharge	IEC61000-4-2	Case	±8kV	Air (isolated parts)	B																																																											
					±8kV	Contact (conductive parts)																																																												
		Radiated high-frequency	IEC61000-4-3	X/Y/Z Axis	20V/m	0.08...1.0GHz M. 80% 1kHz	A																																																											
					10V/m	1.4...2.1GHz M. 80% 1kHz																																																												
5V/m	2.1...2.5GHz M. 80% 1kHz																																																																	
3V/m	5.1...6GHz M. 80% 1kHz																																																																	
Fast transients	IEC61000-4-4	Input	±2kV	Tr/Th: 5/50 ns	A																																																													
		Output	±2kV																																																															
		Signal	±2kV																																																															
		PE	±1kV																																																															
Surge	IEC61000-4-5	Input L to L	±1kV	Tr/Th: 1.2/50µs	B																																																													
		Input L to PE	±2kV																																																															
Conducted RF	IEC61000-4-6	Input	10V	0.15...80MHz M. 80% 1kHz	A																																																													
		Output	10V																																																															
		Signal	10V																																																															
		PE	10V																																																															
Magnetic field	IEC61000-4-8	X/Y/Z Axis	300A/m	0Hz, 16.7Hz, 50/60Hz	A																																																													
P= Performance criteria, L= Line, PE= Protective Earth																																																																		
4.3.7	Relative humidity	Up to 95%																																																																
5.1.1.2	DC power supply range	From 0.70 to 1.25 Un continuous																																																																
5.1.1.3	Temporary DC power supply fluctuation	From 0.60 to 1.40 Un 0.1s From 1.25 to 1.40 Un 1s without damage																																																																
5.1.1.4	Interruptions of voltage supply	Class S1 (without interruptions)																																																																
5.1.1.6	Input ripple factor	10% peak to peak with a DC Ripple Factor of 5 %																																																																
5.1.3	Supply change-over	0,6 Un duration 100 ms (without interruptions). Performance criterion A																																																																
7.2.7	Input reverse polarity protection	By fuse																																																																
10.7	Protective coating for PCB assemblies	Class PC2																																																																
13.3	Tests list	1 Visual Inspection 2 Performance test 3 Power supply test 4 Insulation test 5 Low temperature storage test 6 Low temperature start-up test 7 Dry heat test 8 Cyclic damp heat test 9 Salt mist test 10 Enclosure protection test (IP code) 11 EMC test 12 Shocks and vibrations test 13 Equipment stress screening test 14 Rapid Temperature variation test																																																																
		Routine Routine Routine Routine - Type Type Type - - Type Type Routine: 24h at 40°C and load 100% Type																																																																